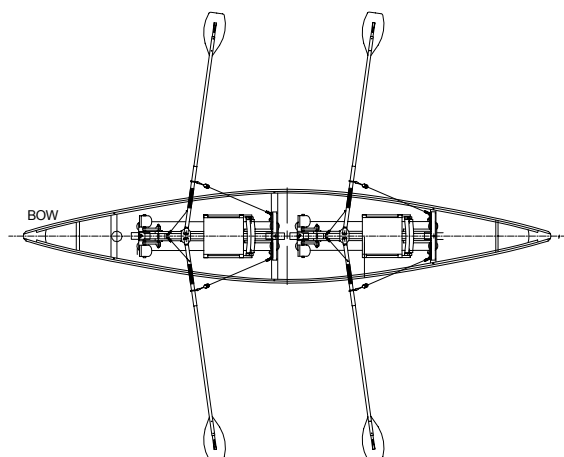
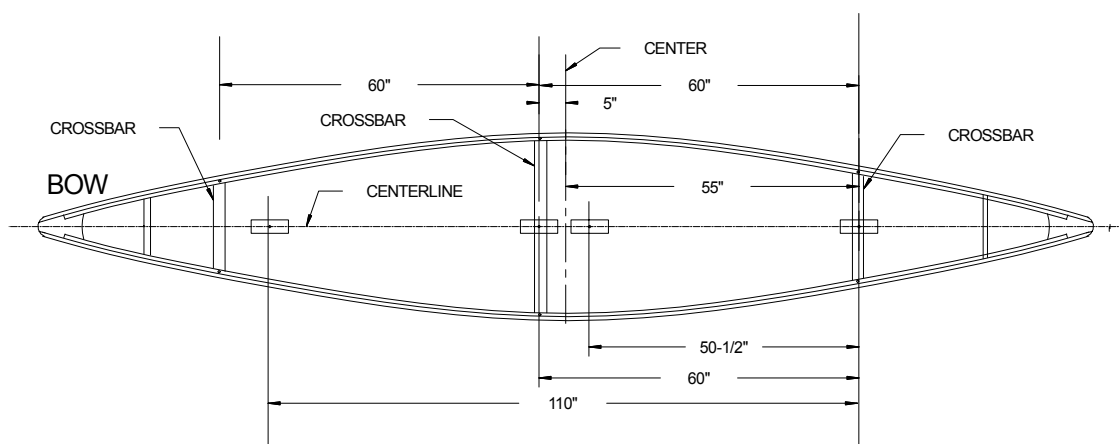


# CANOE SETUP FOR DOUBLES ROWING



SHOWN IN "TANDEM" CANOE  
HAVING 18' LENGTH  
AND 36" WIDTH AT GUNWALES



## NOTES:

1. If ordering a new canoe, kevlar lay-up and wood gunwales are preferred. Have builder locate crossbars as shown. Request seats not installed (shipped loose). Have builder install FrontRower mounting pads (available from Ron Rantilla) in locations shown.
2. If setting up an existing canoe, remove existing crossbars and seats and install new crossbars in locations shown. Glue FrontRower mounting pads in locations shown using epoxy thickened with adhesive filler.
3. To locate centerline on canoe floor, clamp a board across the gunwales, find the centerline on the board and project down onto floor using a square.
4. Mounting pads are to be installed in pairs 50-1/2" between threaded insert centers.
5. Canoe shown has 21" inside clearance at rear crossbar location. Narrower canoes may not have room for a FrontRower in this position.
6. Not all canoes are suitable for the FrontRower. See website ([FrontRower.com](http://FrontRower.com)) for guidelines.