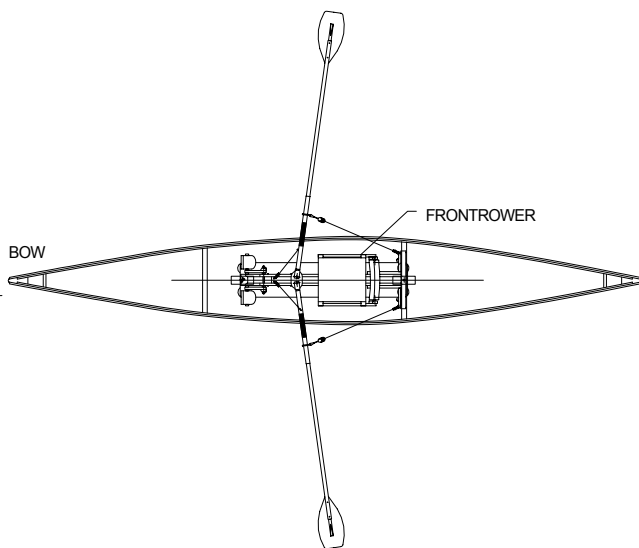
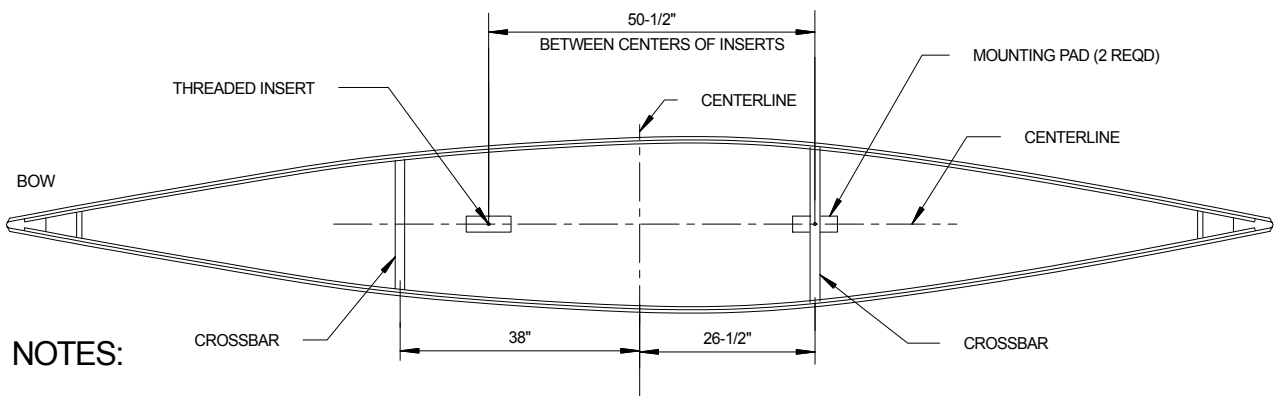


# CANOE SETUP FOR SOLO ONLY ROWING



SHOWN IN "SOLO" CANOE  
HAVING 16'-6" LENGTH  
AND 26" WIDTH AT GUNWALES  
(REQUIRES NARROW COCKPIT OPTION)



## NOTES:

1. If ordering a new canoe, kevlar layup and wood gunwales are preferred. Have builder locate crossbars as shown. Request seat not installed (shipped loose). Have builder install FrontRower mounting pads (available from Ron Rantilla) in locations shown.
2. If retrofitting an existing canoe, remove existing crossbars and seat and install new crossbars in locations shown. Glue FrontRower mounting pads in locations shown using epoxy thickened with adhesive filler.
3. To locate centerline on canoe floor, clamp a board across the gunwales, find the center on the board and project down onto floor using a square.
4. Mounting pads are to be installed 50-1/2" between threaded insert centers.
5. Not all canoes are suitable for the FrontRower. See website ([FrontRower.com](http://FrontRower.com)) for guidelines.

Copyright 2011 Ron Rantilla Rowing Systems, Warren, RI 401-247-1482