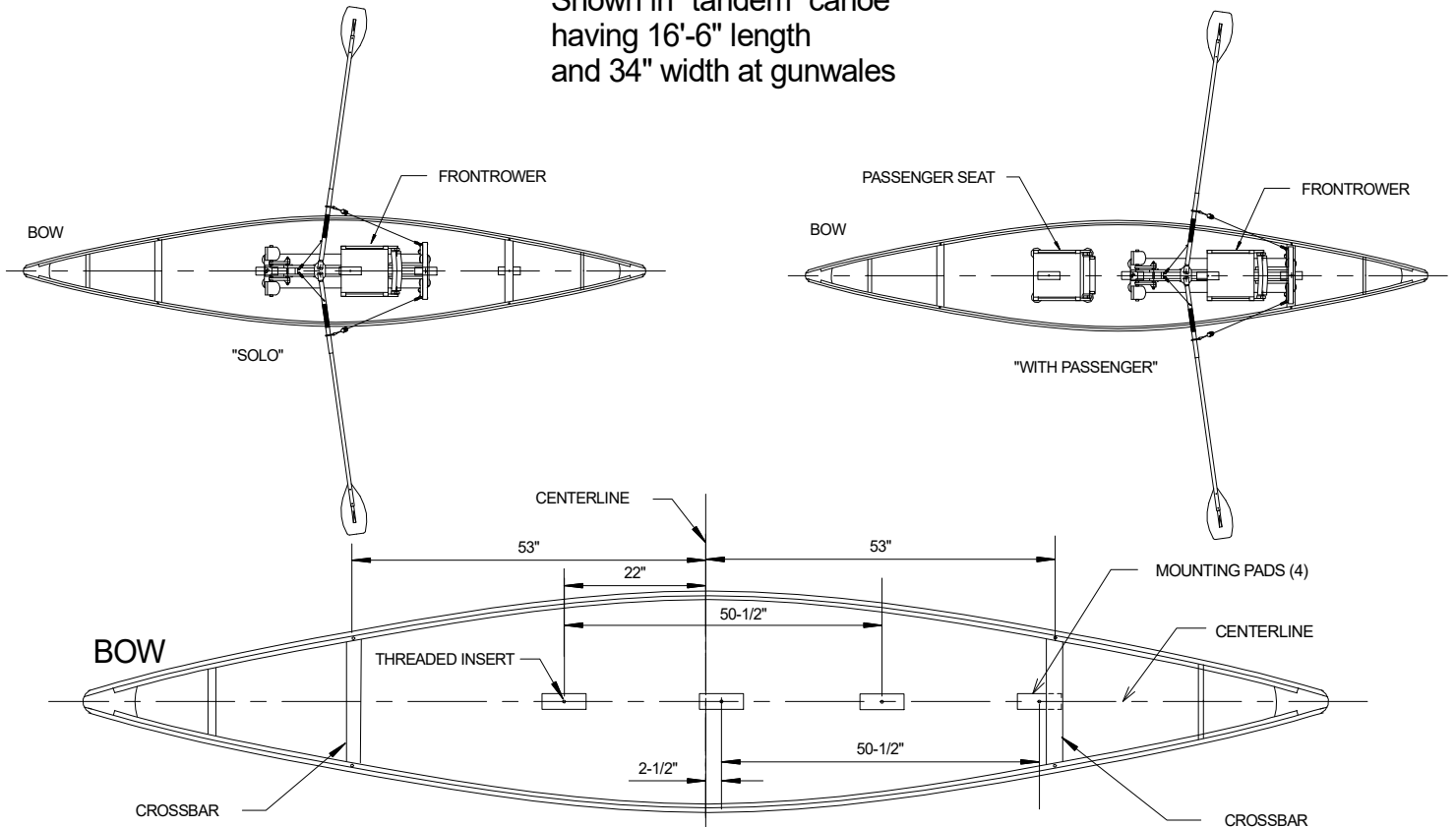


CANOE SETUP FOR ROWING SOLO OR WITH PASSENGER

Shown in "tandem" canoe
having 16'-6" length
and 34" width at gunwales



NOTES:

1. Not all canoes are suitable for the FrontRower. See website (FrontRower.com) for guidelines.
2. If ordering a new canoe, kevlar lay-up and aluminum gunwales are preferred. Have builder locate crossbars as shown. Request seats not installed (shipped loose). Have builder install FrontRower mounting pads (available from Ron Rantilla) in locations shown, or install them yourself.
3. If retrofitting an existing canoe, remove existing crossbars and seats and install new crossbars in locations shown.
4. Mounting pads are to be installed in pairs 50-1/2" between threaded insert centers. 1 pair is needed for each rowing location.
5. To locate the longitudinal centerline on canoe floor, clamp a flat board across the gunwales, find the centerline on the board and project down onto floor using a square.
6. The aft-most mounting pad may need to be made higher by adding a spacer.
7. Glue the mounting pads to the floor of the canoe in locations shown using epoxy thickened with adhesive filler for fiberglass or kevlar canoes, and West System Gflex for thermoplastic canoes.