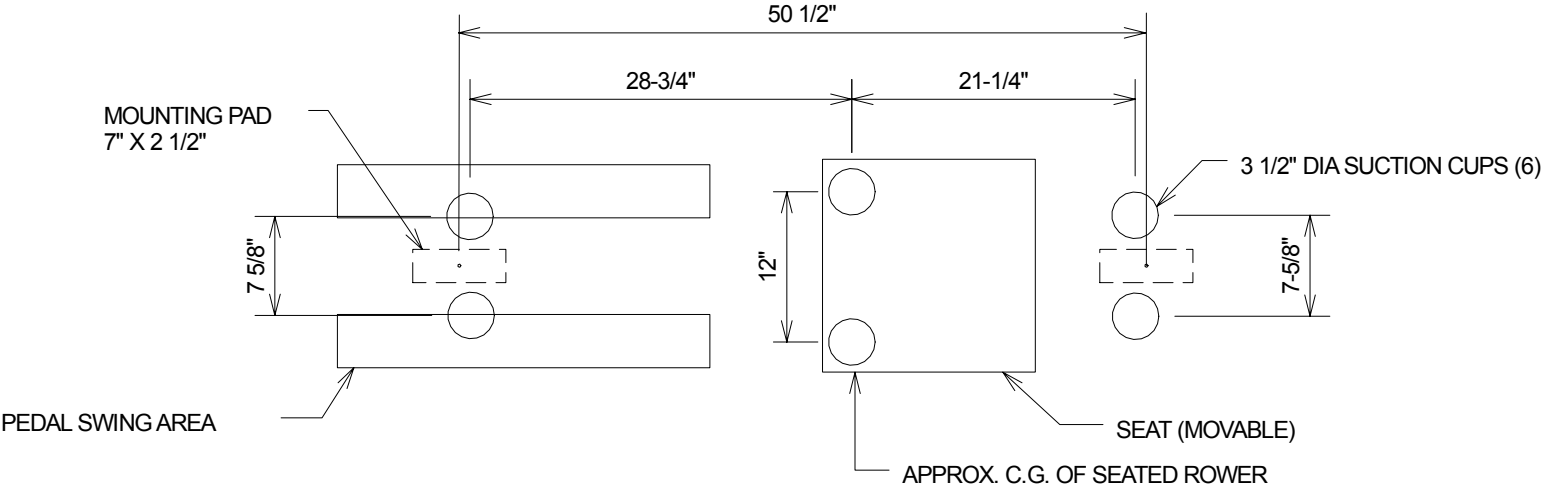
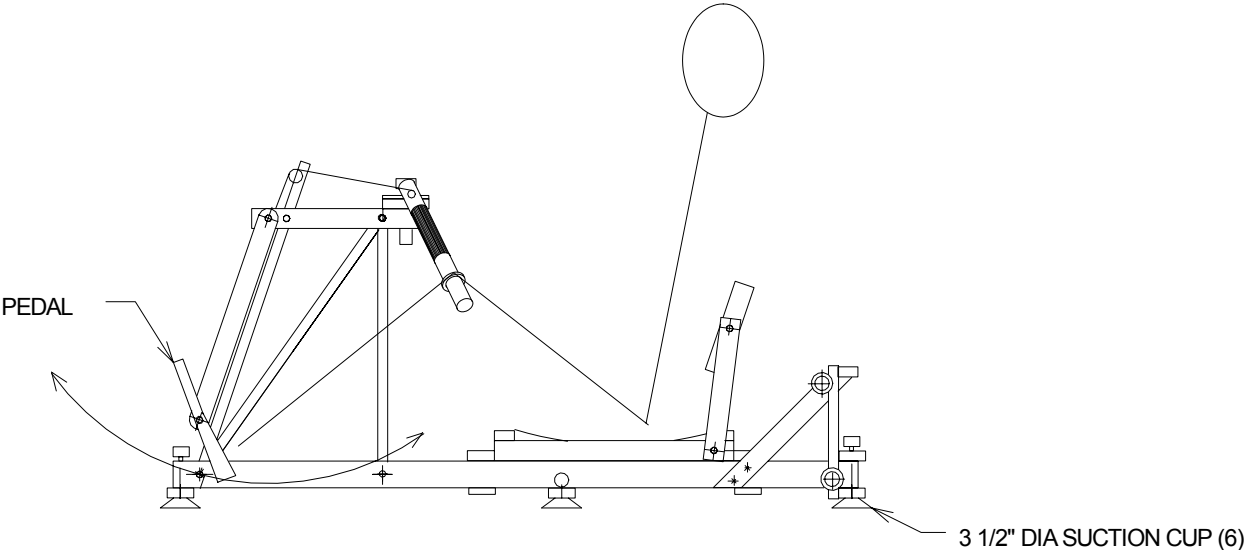


# FRONTROWER MOUNTING FOOTPRINT



Copyright 2011 Ron Rantilla Rowing Systems, Warren, RI 401-247-1482